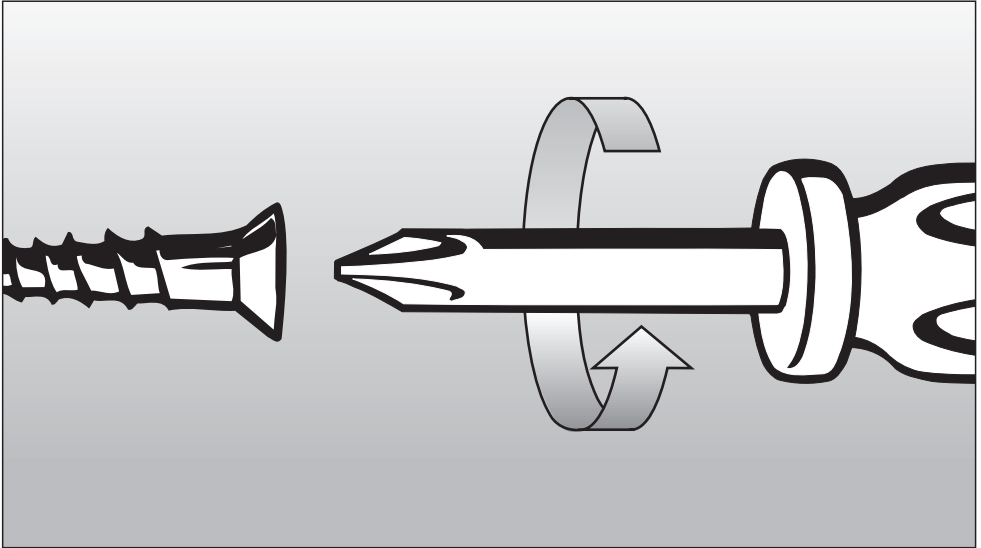


Installation instructions



Steam oven

DG 155

DG 155-1

DG 155-2

DG 155-3


To prevent accidents and machine damage, read these instructions **before** installation or use.



Contents

IMPORTANT SAFETY INSTRUCTIONS	3
Appliance and cut out dimensions	5
Installation in tall cabinetry	5
Installation under a counter top	6
Installation above a Miele oven	7
Installing the oven	8
Securing the oven	8
Electrical connection	9

IMPORTANT SAFETY INSTRUCTIONS

 **WARNING - Read all instructions before installation or use of the steam oven to prevent injury and machine damage.**

■ Before installation make sure that the voltage and frequency listed on the data plate correspond with the household electrical supply. This data must correspond to prevent injury and machine damage. Consult a qualified electrician if in doubt.

■ Installation, repair and maintenance work should be by a Miele authorized service technician. Work by unqualified persons could be dangerous and may void the warranty.

■ Before installation or service, disconnect the power supply to the work area by removing the fuse, "tripping" the circuit breaker, or switching off the power main. Ensure that the power is not restored to the appliance during maintenance or repair work.

■ Do not use an extension cord to connect this appliance to electricity. Extension cords do not guarantee the required safety of the appliance, (e.g. danger of overheating).

■ Do not operate any appliance with a damaged cord or plug or after the appliance has been damaged in any manner. Return the appliance to the nearest authorized service facility for examination, repair or adjustment.

■ Inspect the steam oven for shipping damage. Do not install or operate a damaged unit. Contact the place of purchase.

■ The steam oven should be installed at a safe height for users to safely access all cooking levels and containers.

■ This equipment is not designed for maritime use or for use in mobile installations such as caravans or aircraft. However, under certain conditions it may be possible for an installation in these applications. Please contact the nearest Miele dealer or the Miele Technical Service Department with specific requirements.


■ This steam oven is designed for installation in cabinetry or beneath a counter top. This is necessary to ensure that all electrical components are shielded.

■ Be certain your appliance is properly installed and grounded by a qualified technician. To guarantee the electrical safety of this appliance, continuity must exist between the appliance and an effective grounding system. It is imperative that this basic safety requirement be met. If there is any doubt, have the electrical system of the house checked by a qualified electrician. The manufacturer cannot be held responsible for damage caused by the lack, or inadequacy of, an effective grounding system.

■ Do not tamper with electrical connections and components or mechanical parts. Never open the outer casing of the appliance.

IMPORTANT SAFETY INSTRUCTIONS

Disposal of an old appliance

 Before discarding an old appliance, disconnect it from the electricity supply, cut off the power cord and remove any doors to prevent hazards.

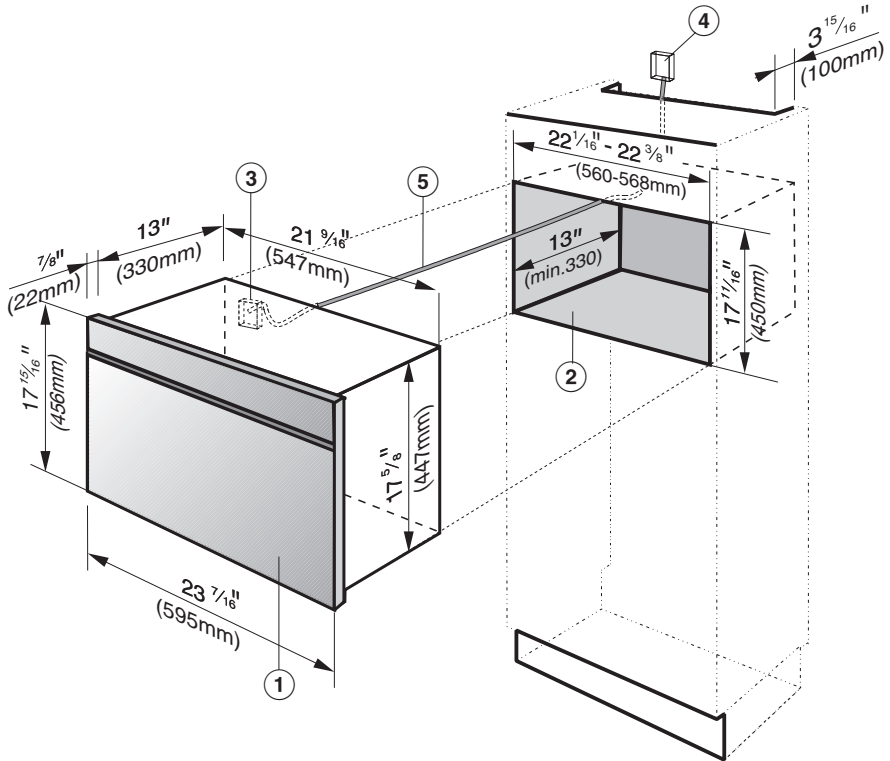
Note to the installer:

Please leave these instructions with the consumer of the appliance.

**Important -
Save these instructions for the local
electrical inspector's use**

Appliance and cut out dimensions

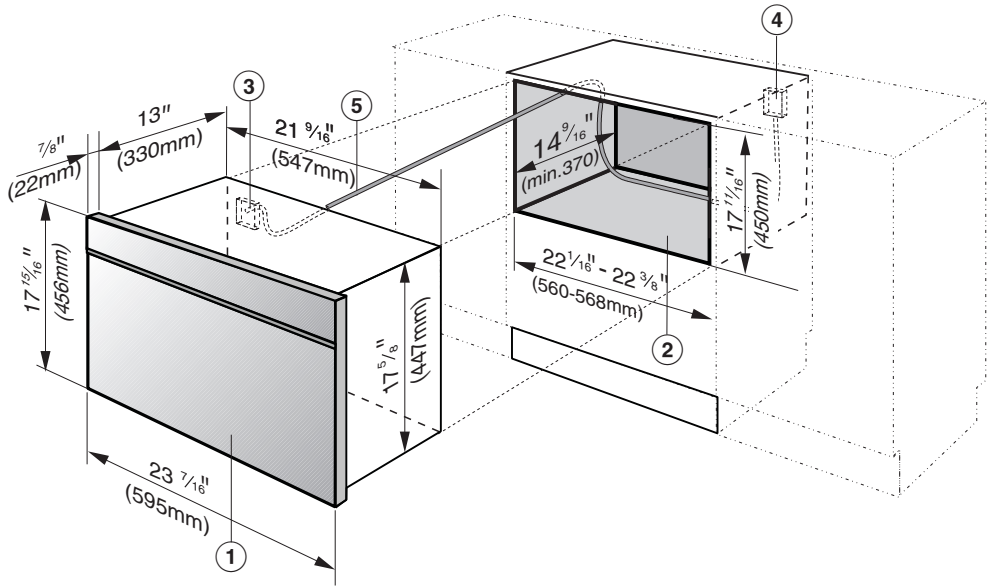
Installation in tall cabinetry



- ① Steam oven
- ② Cabinet opening
- ③ Terminal block
- ④ Outlet or junction box.
This should be accessible after the appliance has been installed.
- ⑤ Power supply cord

Appliance and cut out dimensions

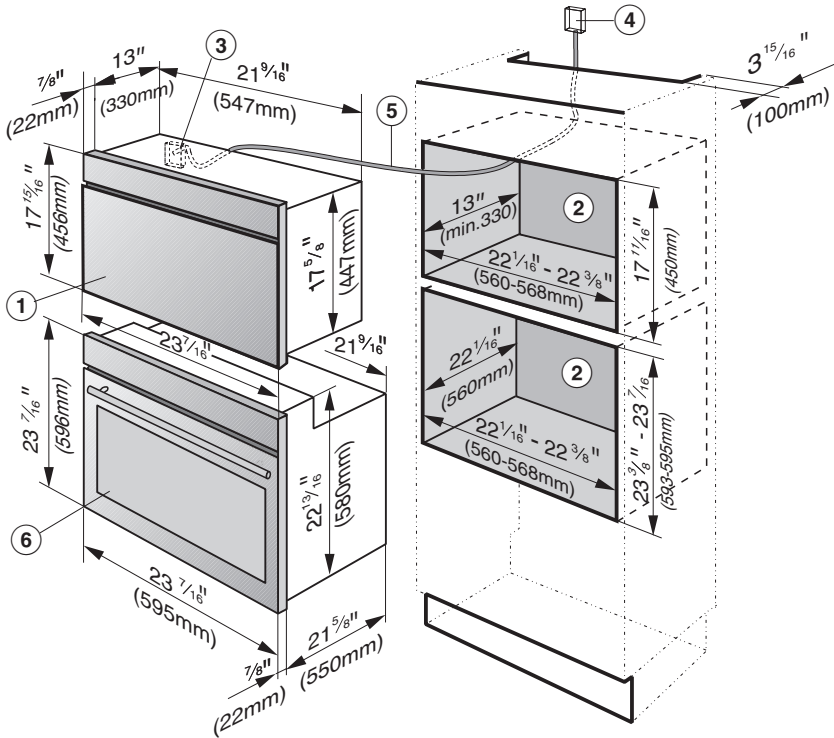
Installation under a counter top



- ① Steam oven
- ② Cabinet opening
- ③ Terminal block
- ④ Outlet or junction box.
This should be accessible after the appliance has been installed.
- ⑤ Power supply cord

Appliance and cut out dimensions

Installation above a Miele oven



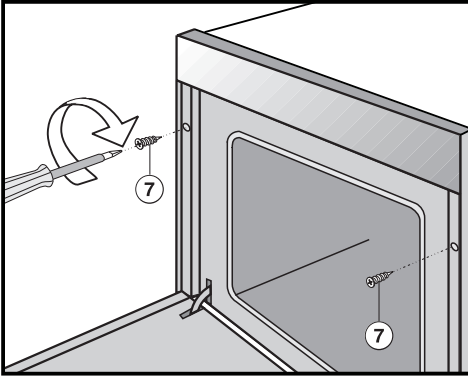
- ① Steam oven
- ② Cabinet opening
- ③ Terminal block
- ④ Outlet or junction box.
This should be accessible after the appliance has been installed.
- ⑤ Power supply cord
- ⑥ Oven

Note:

The steam oven **must not** rest directly on top of the oven. The steam oven should be supported by a shelf or ledges.

Installing the oven

Securing the oven



After aligning the oven it must be secured in position. Open the oven door and using the supplied screws ⑦, secure it to the cabinet through the holes on either side of the vertical oven trim.

Electrical connection



WARNING:

Disconnect main power supply before servicing. To reduce the risk of electrical shock, make sure that the appliance is properly grounded after installation.

All electrical work should be performed by a licensed electrician, in strict accordance with national and local safety regulations and standards.

- Note to installer:
Please leave these instructions with the consumer.
- Power supply:
Please check the data plate:
240 VAC; 60 Hz
15A, 240 V
L1, L2, Ground

Make sure your electrical supply matches the data plate.

WARNING : THIS APPLIANCE MUST BE GROUNDED

For USA only

The appliance is provided with 3 terminal leads: 1 black wire (L1), 1 red wire (L 2) and 1 green wire (GND) that must be connected to a dedicated junction box. Connect the black wire to L1, the red wire to L2 and the green wire to GND.

ALSO SEE THE WIRING DIAGRAM PROVIDED WITH THE APPLIANCE.

For CDN only

The appliance is provided with 3 terminal leads: 1 black wire (L1), 1 red wire (L 2) and 1 green wire (GND) that must be connected to a dedicated junction box. Connect the black wire to L1, the red wire to L2 and the green wire to GND.

All hot wires (black and red) must be fused individually before connecting them to the main power supply leads.

Use 15 Amp fuses or circuit breakers for appliances rated 240 VAC.

ALSO SEE THE WIRING DIAGRAM PROVIDED WITH THE APPLIANCE.

When contacting the Technical Service,
please quote the model and serial number
of your appliance.

The Miele logo is displayed in a bold, white, serif font against a solid black rectangular background.

Miele, Inc. (USA)

National Headquarters

9 Independence Way
Princeton, NJ 08540
Phone: 800-843-7231
609-419-9898
Fax: 609-419-4298
www.mieleusa.com

Technical Service & Support

Nationwide

Phone: 800-999-1360
Fax: 888-586-8056

Miele Limited (CDN)

National Headquarters

55G East Beaver Creek Road
Richmond Hill, ON L4B 1E5
Phone: 800-643-5381
905-707-1171
Fax: 905-707-0177
www.miele.ca
info@miele.ca (general enquiries)
professional@miele.ca (commercial enquiries)

Mielecare National Service

Phone: 800-565-6435
905-850-7456
Fax: 905-850-6651
service@miele.ca (Tech. Service)